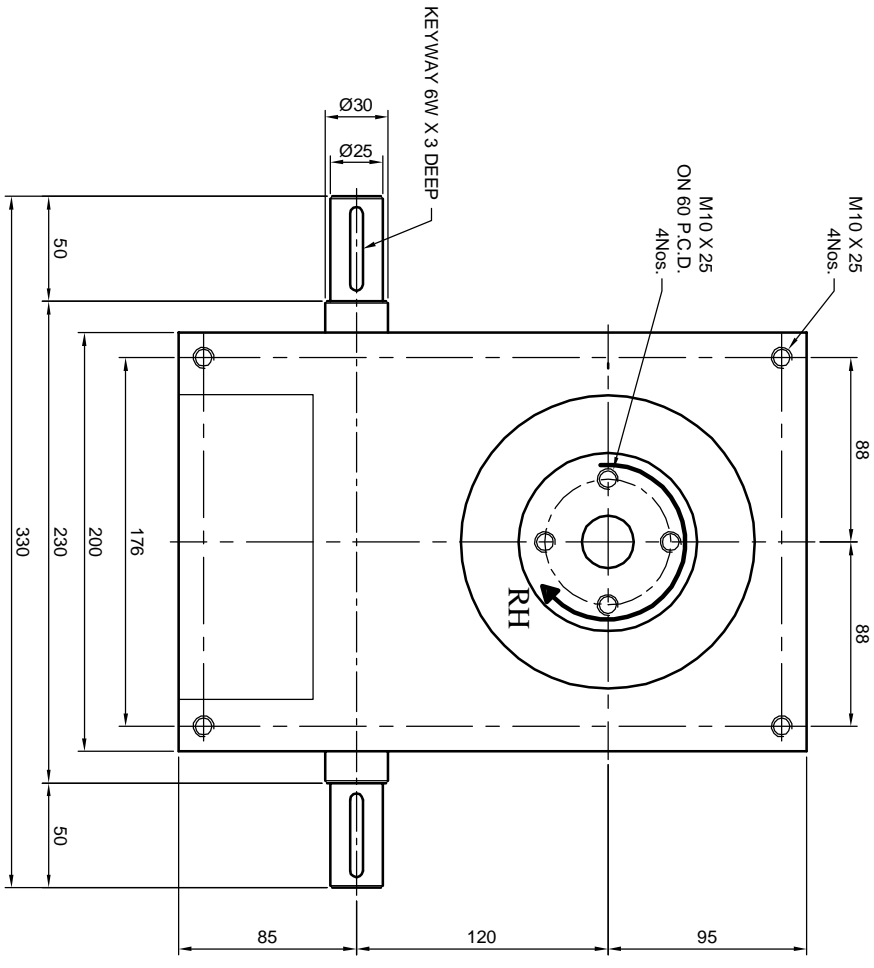


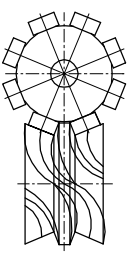
NOTE :- FD - 120 FLAT = 4,8,10,12 INDEXING (OLD)  
 INDEXING TIME AS PER REQUEST: RANGE - 90° - 300°



**FD - 120 FLAT RH-CAM INDEXING SYSTEM**

NOTE :-

DRAWN BY	PANKAJ	ALL DIMENSIONS ARE IN MM			LOCATION:----
DESIGN BY	---	DRG.NO.:-			
DATE	26.07.12	DRG NAME:- FD - 120 FLAT CAM INDEXING SYSTEM			
SCALE	1:1	MATERIAL	QTY	PART NO	
		---	---		



**CAMFIELD ENGINEERS**

21, Shreepal Industrial Estate, Pavan Baug,  
 Chincholi Phatak, Malad (West). Mumbai :- 400064