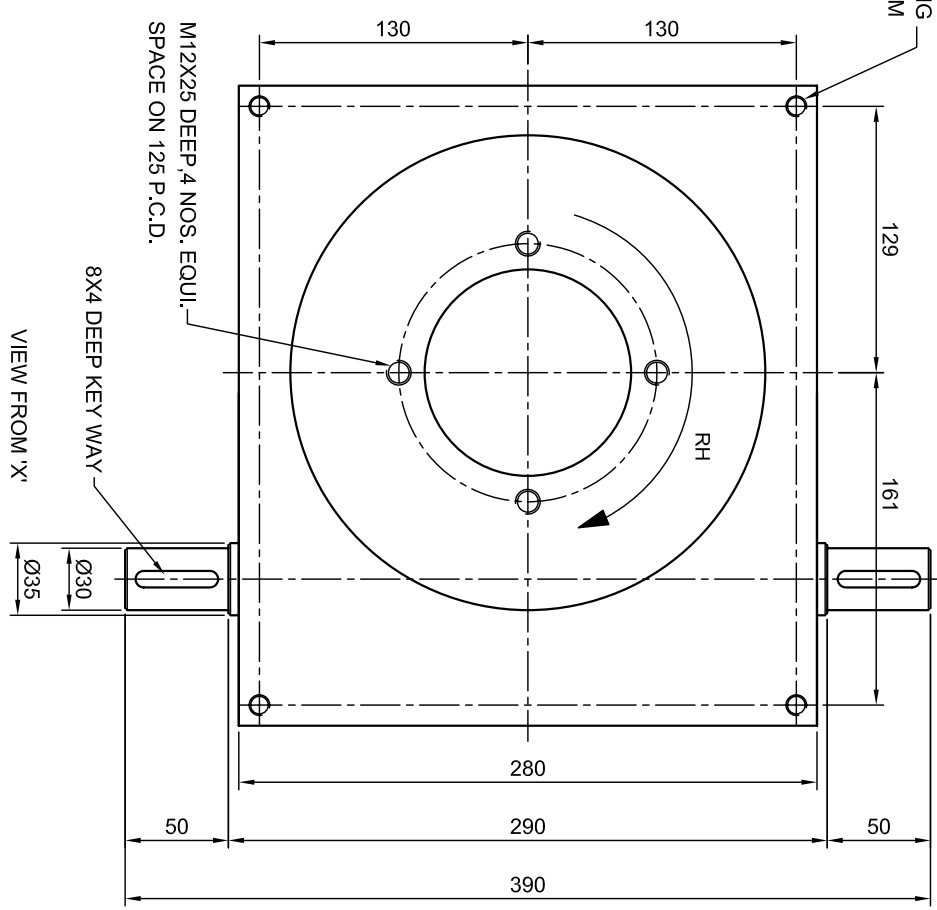


M10X25 DEEP 4 NOS. MOUNTING HOLES FROM TOP AND BOTTOM



NOTE:- OIL INLET, OUTLET AND OIL INDICATOR AS PER MOUNTING POSITION.

SD-200 = 8, 12, 16 INDEXING